



## AUTOMATIC EVISCERATOR

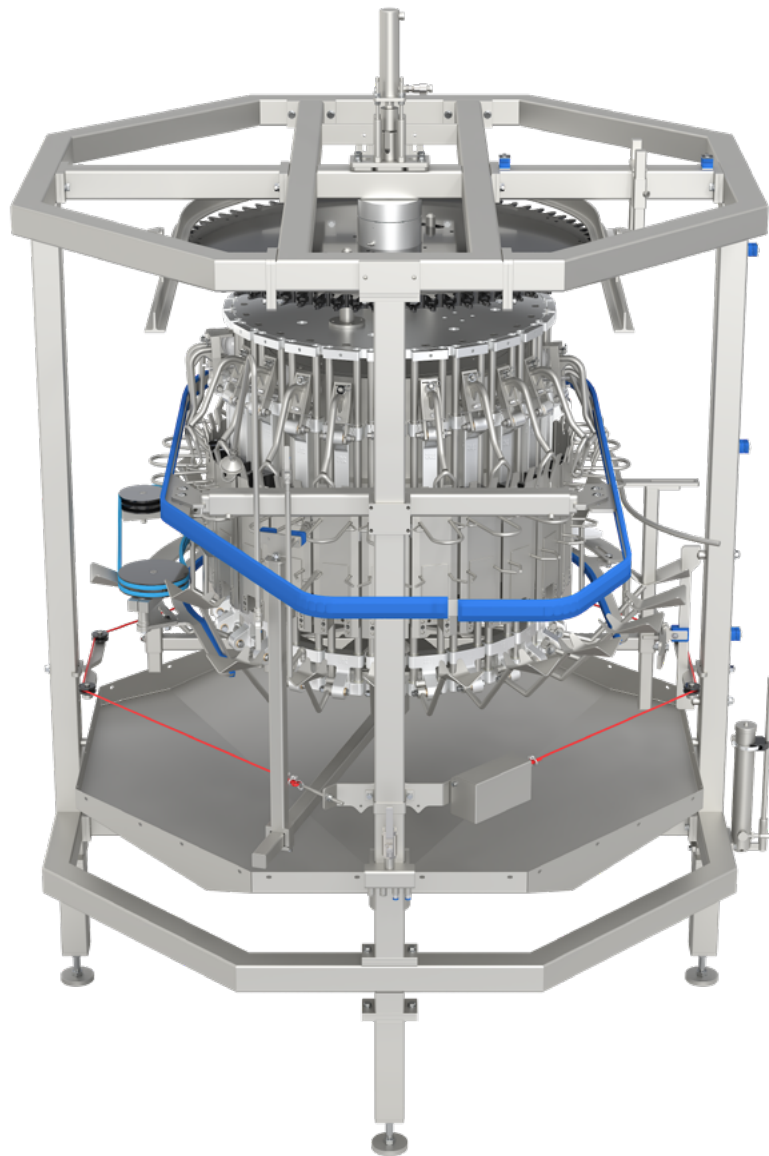


**foodmate**

Poultry Processing Systems

The Foodmate Automatic Eviscerator is utilized for various types of poultry, to draw the intestine pack with giblets after vent cutting and opening of the birds. The intestine package with giblets attached are positioned on the back of the bird that is still attached for veterinary inspection of both. The heart, liver and gizzards are presented for easy harvesting. With product within the set product weight range, the machine has hardly any fall back or loss of packs and the performance rate, with regards to recovery of edibles, is 90% or higher. Fitted for 16/24

eviscerating units that, due to the breast holder, position the birds in the correct way prior to starting to draw. This machine allows for adjustable infeed timing, height adjustment for different weight ranges, total machine timing, and breast holder tension. The Eviscerator needs to be hooked up to the main water supply to clean each unit after each cycle. It is stainless steel and food approved nylon constructed and is driven by the overhead conveyor system.





# AUTOMATIC EVISCERATOR

## Key Benefit:

- Allows for a maximum of 9,000 birds per hour

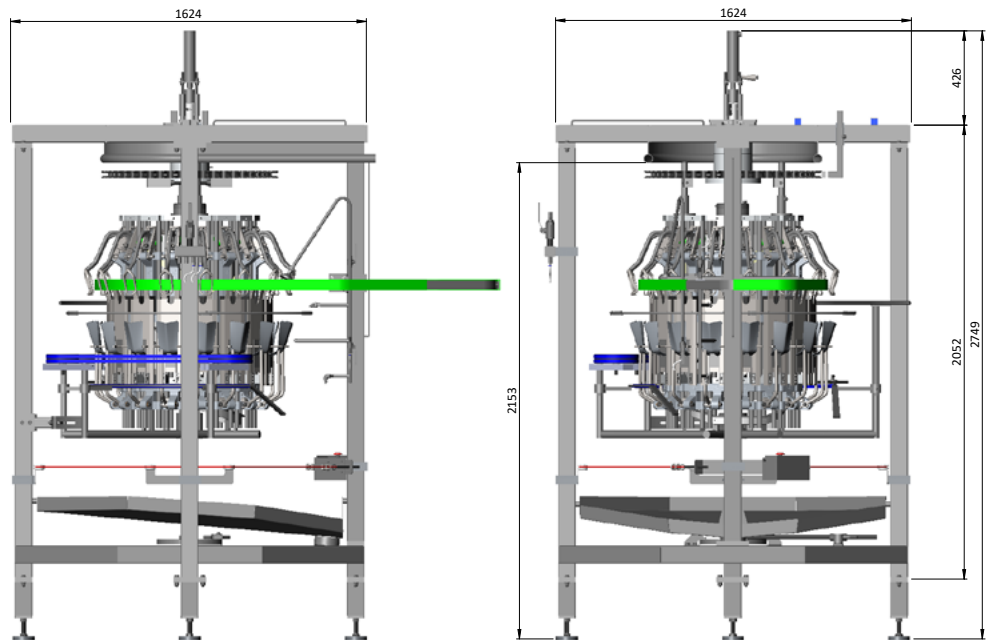
Foodmate is an equipment manufacturing company based in the Netherlands. Founded in 2006, we focus primarily on poultry processing, and we recently launched Foodmate Brasil, expanding our worldwide distribution into South America. Driven by research, paired with unmatched knowledge and decades of experience, it's our mission to innovate, automate and bring cost-effective solutions to the industry.

Our product line spans a wide assortment of processing equipment designed for live bird handling, killing and defeathering, eviscerating, chilling, weighing, cut-up systems, deboning and more.

Our team represents decades of industry knowledge and experience resulting in the engineering, development and implementation of new designs for our clients and their ever-changing needs.

## Technical Specifications:

- Stainless steel frame
- Units: 16 or 24
- Pitch: 6"
- Rotation: CW/CCW
- Conveyor type:
  - Pipe
  - T-track
- Machine dimensions
  - Length: 1624 mm (units 16)  
2000 mm (units 24)
  - Width: 1624 mm (units 16)  
2000 mm (units 24)
  - Height: 2749 mm
  - Weight: approx. 791 kg (units 16)  
approx. 1291 kg (units 24)



FOODMATE B.V.  
The Netherlands  
Phone: +31 186 630 240  
info@foodmate.nl • www.foodmate.nl

FOODMATE POLSKA  
Poland  
Phone: +48 601 270 015  
biuro@foodmate.nl • www.foodmate.pl

FOODMATE US  
U.S.A.  
Phone: +1 678 819 5270  
info@foodmateusa.com • www.foodmateus.com

FOODMATE BRASIL  
Brasil  
Phone: +55 19 3308 7768  
foodmatebrasil@foodmate.br.com • www.foodmate.nl



FOODMATE UK LTD  
United Kingdom  
Phone: +44 33330 11110  
info@foodmate.uk • www.foodmate.uk